

Model No.: SMA-KWE903

Material: brass with gold-plated surface

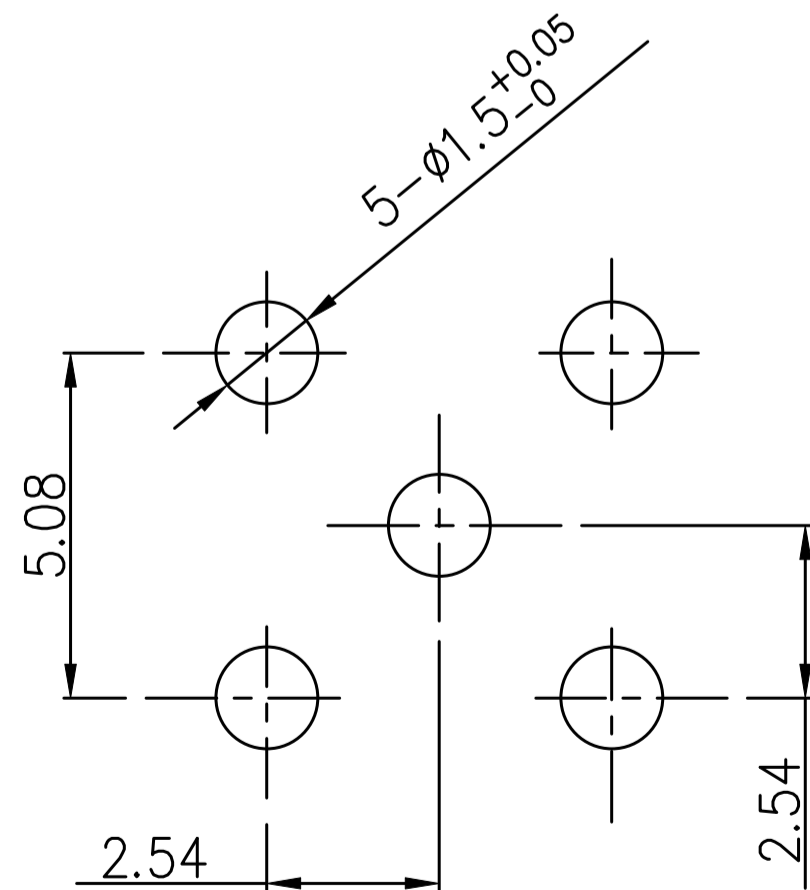
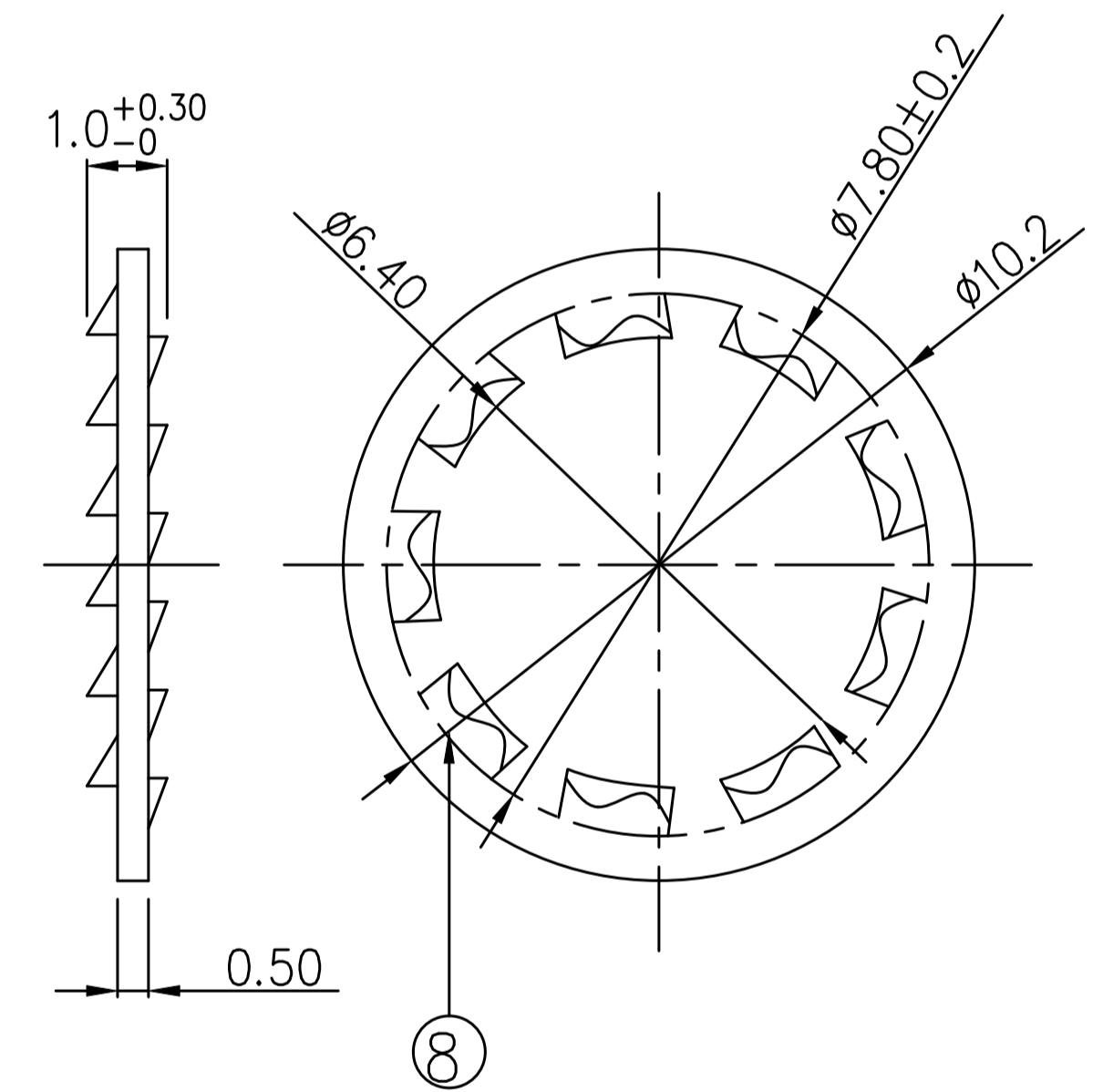
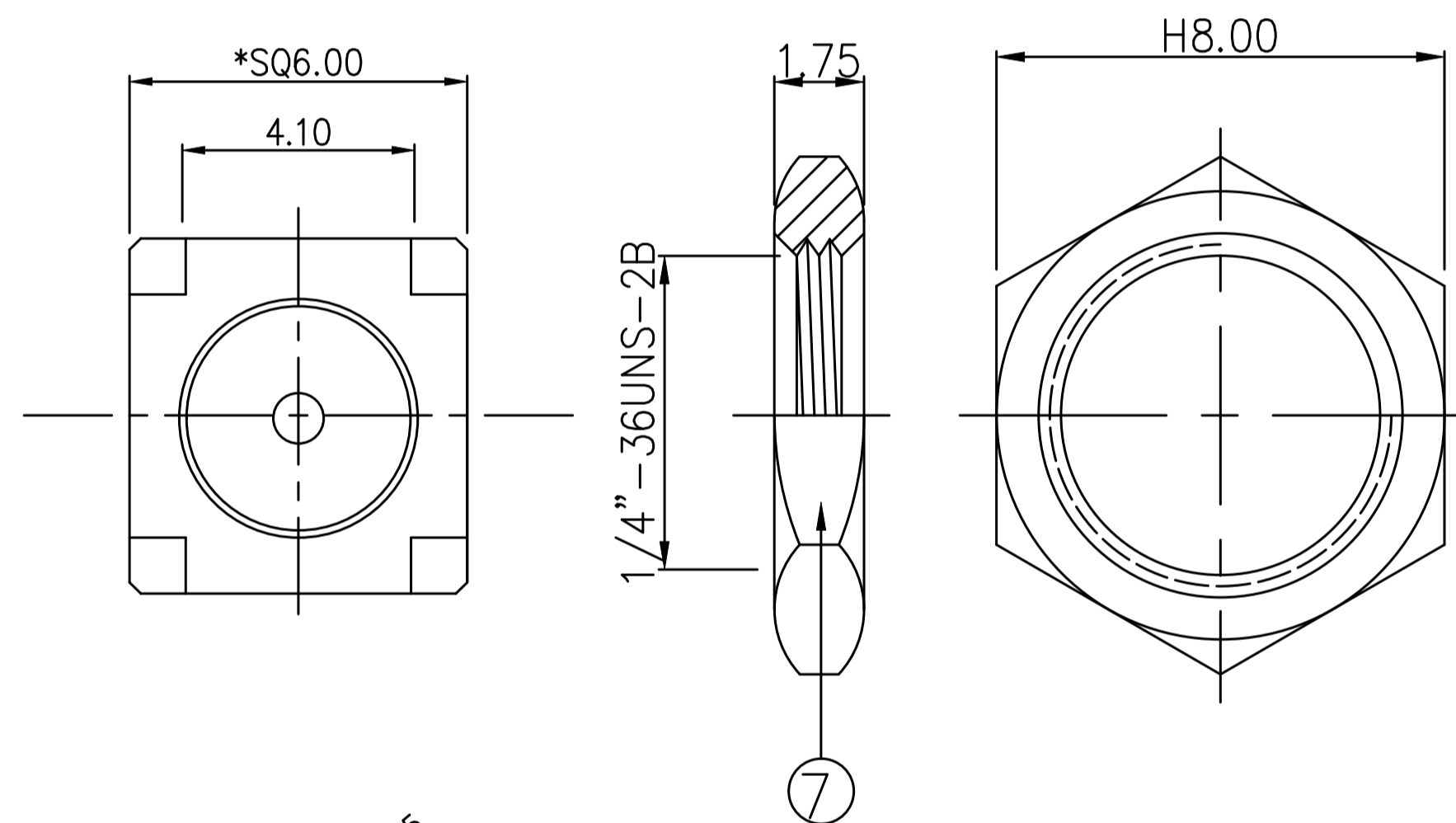
SMA-KWE female head right angle (90 degrees) - external screw type, internal hole, 14 threads

1. Electrical Characteristics

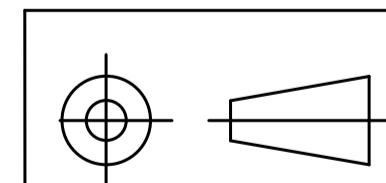
- 1.1 Impedance: 50 Ohm
- 1.2 Working Frequency: DC-3 GHz
- 1.3 S.W.R.: ≤1.5
- 1.4 Working Voltage: 335V/ Max
- 1.5 Insulation Resistance: 5000 Mohm
- 1.6 Contact Resistance: Center contact: 3 Mohm
- 1.7 External contact: ≤2 Mohm

2. Work Environment

- 2.1 Operating Temperature Range: -55°C ~ +125°C
- 2.2 Salt Spray Test: 48H



7	Spring Washer OD10.2*1.10	C3604 Gold-plated 1u"	SMA102011G-2331	1
6	Nut H8.0*1.75	C3604 Gold-plated 1u"	NUT080175G-1840	1
5	Insulator OD4.10*5.00	PTFE White	SMA410500I-1714	1
4	Four angles SQ6.0*13.00	C3604 Gold-plated 1u"	SMA060130G-0708	1
3	Insulator OD4.2*7.20	PTFE White	SMA042072I-1535	1
2	PIN OD1.35*24.0	C3602 Gold-plated 2u"	SMA135240G-2183	1
1	Screw thread OD6.2*15.8	C3604 Gold-plated 1u"	SMA062158G-0737	1



Tolerance
未注公差
.X ±0.2
.XX ±0.10
.XXX ±0.05
未注角度公差 ±1°

DreamLNK 深圳市骏晔科技有限公司
SHENZHEN DREAMLNK TECHNOLOGY CO., LTD

Part Name. 品名		SMA-KWE903		
Material. 材				
Finish. 理				
Scale. 比例	1:1	Draw .	Check. 核	App. 核准
REV. 版本/次	A/0	19.03.15	19.03.15	19.03.15
Unite. 位	mm			